

STALL TYPE GUIDELINES, SITE REQUIREMENTS AND PRICING INFORMATION

SITE PRICING STRUCTURE

		Stall Width Frontage									
		1m	2m	3m	4m	5m	6m	7m	8m	9m	10m
Stall Depth	1m	\$50	\$100	\$150	\$200	\$250	\$300	\$350	\$400	\$450	\$500
	2m	\$50	\$100	\$150	\$200	\$250	\$300	\$350	\$400	\$450	\$500
	3m	\$50	\$100	\$150	\$200	\$250	\$300	\$350	\$400	\$450	\$500
	4m	\$100	\$150	\$200	\$250	\$300	\$350	\$400	\$450	\$500	\$550
	5m	\$150	\$200	\$250	\$300	\$350	\$400	\$450	\$500	\$550	\$600
	6m	\$200	\$250	\$300	\$350	\$400	\$450	\$500	\$550	\$600	\$650
	7m	\$250	\$300	\$350	\$400	\$450	\$500	\$550	\$600	\$650	\$700
	8m	\$300	\$350	\$400	\$450	\$500	\$550	\$600	\$650	\$700	\$750
	9m	\$350	\$400	\$450	\$500	\$550	\$600	\$650	\$700	\$750	\$800
	10m	\$400	\$450	\$500	\$550	\$600	\$650	\$700	\$750	\$800	\$850

BRING YOUR OWN OPTIONS

CUSTOM BRANDED MARQUEE

Site requirement: Pending dimensions
Site Price: \$50 per metre (width) or part there-of / > 3 metre depth \$50 per metre



BRING YOUR OWN OPTIONS

VAN / TRUCK / TRAILER

Site requirement: Pending dimensions
Site Price: \$50 per metre (width) or part there-of / > 3 metre depth \$50 per metre

Ensure that all tow bars, awnings, stairs etc. are accounted for when indicating your required site dimensions.



NOT ACCEPTABLE

GENERIC POP-UP TENT

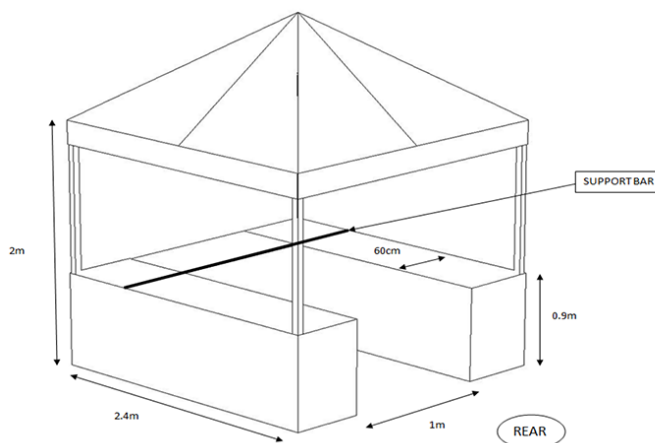
Example:

- Oz trail
- Coleman



PROVIDED OPTIONS

Type: Single Fete Stall
Total Price: \$334.80 inclusive of GST and Site Hire
Dimensions: 2.4m x 2.4m comes with tables on 3 sides
Site Inclusion: 3m site



Type: Double Fete Stall
Total Price: \$641.60 inclusive of GST and Site Hire
Dimensions: 4.8m x 2.4m comes with tables on 3 sides (not joined in the centre)
Site Inclusion: 5m site

Fete stall will be installed on your site prior to the event. You will be required to bring all equipment required for operation and are able to bring branded materials to decorate, however nothing may be adhered directly to the stall with adhesives.

PROVIDED OPTIONS

Type: Pagoda
Price: \$480 inclusive of GST and Site Hire
Dimensions: 3m x 3m
Site Inclusion: 3m site

You will need to provide all equipment required to operate, including any tables and tablecloths.



PROVIDED OPTIONS

Type: Pagoda
Price: \$960 inclusive of GST and Site Hire
Dimensions: 6m x 3m
Site Inclusion: 6m site

You will need to provide all equipment required to operate, including any tables and tablecloths.

